

UDC 539.3

## EFFECT OF STATIC LOADS ON THE NATURAL VIBRATIONS OF RIBBED SHELLS

O.P. Krivenko,

Candidate of Science (Engineering), Senior Researcher, Leading Researcher

*Kyiv National University of Construction and Architecture, Kyiv  
Povitroflotsky ave., 31, Kyiv, 03680*

**Abstract.** The article is devoted to a further analysis of the natural vibrations of inhomogeneous shells under the action of static loads. The method of investigation is based on a unified methodology that combines the problems of static stability and the vibrations of elastic shells. The problems of natural vibrations take into account the presence of a prestressed state of the shell structure from the action of static loads. The presence of a static load significantly affects the spectrum of the natural frequencies of the shell. This approach allows us to determine the critical load by the dynamic criterion.

The method of investigating of inhomogeneous shells is based on the uniform methodological positions of the 3-d geometrically nonlinear theory of thermoelasticity and the finite-element method in the form of the moment finite-element scheme. So, a thin shell is considered by this method as a three-dimensional body which is modeled throughout the thickness by one isoparametric solid finite element with multilinear shape functions.

Two nonclassical hypotheses are used to describe the stress-strain state of a thin inhomogeneous shell. The kinematic hypothesis of deformed straight line in the thickness direction: though stretched or shortened during deformation, a straight segment along the thickness remains straight. This segment is not necessarily normal to the mid-surface of the shell. The displacements are assumed distributed linearly along the thickness, which is conventional in the theory of thin shells. The static hypothesis compressive assumes that the stresses in the fibers are constant throughout the thickness of the shell.

Modal analysis of a shallow ribbed panel demonstrates the effectiveness of the developed method. The natural frequencies and mode shapes are determined at each increment of static loading.

**Keywords:** thin elastic shell, rib, buckling, natural vibrations, static load.

**Introduction.** Thin-walled shell structures are widely used in many branches of modern engineering. Problems of stability and natural vibrations of shallow panels are classical in the theory of thin elastic shells. Numerous literatures are devoted to their study [1-14]. Methods and algorithms for solving nonlinear stability problems and determining the parameters of natural vibrations are investigated on this type of shells, mainly of constant thickness. The shells are designed step-variable thickness (reinforced with ribs and overlays) to increase the overall rigidity of the thin-walled structure (and, correspondingly, its load-bearing capacity) [1-4, 10-12]. Static loads significantly affect both the stress-strain state of the structure and its dynamic characteristics, which include frequencies and forms of natural vibrations [5-8, 15, 16]. But the investigation of the static load effect on the vibrations of shells even of constant thickness is a difficult and insufficiently studied problem of structural mechanics. In addition the determination of natural frequencies and forms of small vibrations of the structure is a necessary element of investigation the behavior of shells.

**1 Statement of the problem and method of investigation.** The purpose of the article is to use the method developed in [5] for calculating the natural frequencies and forms of the mode of thin rim shells, taking into account the action of the static load. The approach developed in [5] allows us to investigate comprehensively

geometrically nonlinear deformation and buckling of thin and medium thickness elastic shells of an inhomogeneous structure [1-4] and to analyze small vibrations of shells with respect to a reference deformed state caused by a static load taking into account large displacements and pre-stressed states.

The finite-element method [1-4] is constructed on the basis of geometrically nonlinear relations of the three-dimensional theory of thermoelasticity, the positions of the moment finite-element scheme (MFES) and the application of the universal spatial finite element (FE) to modelling thin shells. We approximate a thin shell by one spatial FE throughout the thickness to develop a finite-element shell model. This approach is effective for solving problems of nonlinear deformation, buckling, and natural vibrations of thin shells [1-5, 9, 17-22]. The structural elements of an inhomogeneous shell require that the FE be universal: it should be eccentrically arranged relative to the mid-surfaces of the casing, it should be possible to vary the thickness of the lateral edges of the FE; the lateral edges of the neighboring FEs should be in continuous contact; and it should be possible to model sharp bends in the shell.

The problem of nonlinear deformation, buckling, and postbuckling behavior of inhomogeneous shells is solved by a combined algorithm that employs the parameter continuation method, a modified Newton–Kantorovich method, and a procedure for automatic correction of algorithm parameters [1, 2]. The justification of the reliability of the obtained calculation results is based on a study of the convergence of finite-element solutions and their comparison with known analytical and numerical results.

The algorithm for investigating the natural vibrations of shells with an inhomogeneous structure [5] is realized by the subspace iteration method [23, 24].

Thus, the proposed integrated approach allows us to investigate the joint effect of the parameters of pre-stressed state and the shells' geometric characteristics on the buckling and natural vibrations of shells with complex structure. The pre-stresses significantly affect the spectrum of natural frequencies. Their allowance makes it possible to determine the bifurcation points and the value of the critical force by the dynamic criterion [25]. According to the dynamic criterion, the load which corresponds to the appearance of a negative value of the fundamental frequency is taken as critical.

## 2 Analysis of stability and natural vibrations of the ribbed panel.

Investigation of the stability of rib-reinforced shells is presented using the example of shallow spherical panel of square planform ( $K=2a^2/(Rh)=32$ ,  $a=60h$ ,  $R=225h$ ) with hinged edges, and subject to uniform pressure. The shell is reinforced from inside by two central cross-ribs (height  $h_r=3h$  and width  $b_r=2h$ ) (Fig. 1). The input data:  $h=1$  cm,  $E=2.1\cdot 10^6$  kg/cm<sup>2</sup>,  $\nu=0.3$ ,  $\rho=7.85\cdot 10^{-3}$  kg/cm<sup>3</sup>. Results are presented in terms of dimensionless parameters:  $\bar{q}=a^4q/(Eh^4)$ ,  $\bar{u}^1=u^1/h$ , where  $u^1$  is the deflection of the panel along the axis  $x^1$ .

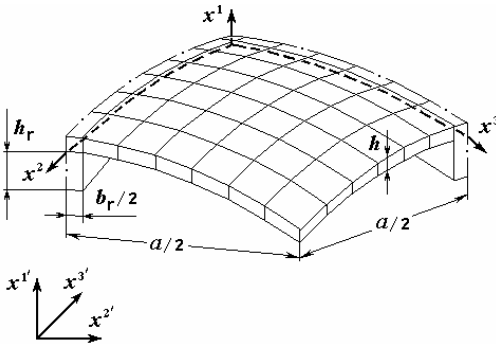


Fig. 1. Fragment of ribbed panel

Analysis for convergence shows that the  $16 \times 16$  FE mesh for whole panel is sufficient. To obtain the results with greater accuracy, the  $42 \times 42$  FE mesh has been used in the calculations.

The comparison of solutions is performed with data obtained for a smooth panel to analyze the effect of ribs on natural vibrations and the buckling of a shallow shell.

The results of the investigation of nonlinear deformation and the buckling of a smooth panel are given in Ref. [1, 2]. The results of the investigation of the natural vibrations for this panel are given in Ref. [5].

There is the dashed line with the mark “■” for the solution of the smooth panel on the “load – deflection” (“ $\bar{q} - \bar{u}$ ”) and “load – frequency” (“ $\bar{q} - \omega$ ”) curves. The results of calculations for the ribbed panel are marked “■”.

The circles on the “ $\bar{q} - \bar{u}$ ” and “ $\bar{q} - \omega$ ” curves indicate the loads  $\bar{q}^i$  for which the natural vibrations are calculated. The load  $\bar{q}^{i=0}$  corresponds to the initial state when the panel is not loaded ( $\bar{q} = 0$ ).

Analysis of the results (Table 1) shows us the following.

Under loads up to the value  $\bar{q}^{i=6}$  ( $\bar{q}^{i=0} \div \bar{q}^{i=5}$ ) the eigenfrequencies “ $\omega_2$ ” and “ $\omega_3$ ” are multiple. As a result the “ $\bar{q} - \omega_2$ ” and “ $\bar{q} - \omega_3$ ” curves coincide on this section (Fig. 2), and the corresponding mode shapes have the form shown in Fig. 3 ( $\bar{q}^{i=0}$ ).

Table 1

Eigenfrequencies of the ribbed panel for different values of the load  $\bar{q}^i$

No ( $\bar{q}^i$ )	$\omega_1, \text{ Hz}$	$\omega_2, \text{ Hz}$	$\omega_3, \text{ Hz}$	$\omega_4, \text{ Hz}$	$\omega_5, \text{ Hz}$	$\omega_6, \text{ Hz}$
0	493,16	761,98	761,98	793,29	970,44	1122,1
1	491,03	757,13	757,13	786,81	963,56	1116,3
2	484,35	746,97	746,97	773,92	950,21	1106,8
3	473,94	730,92	730,92	753,68	929,28	1092,0
4	457,36	704,72	704,72	720,93	895,60	1068,6
5	429,74	659,24	659,24	664,82	838,49	1030,2
6	378,78	553,51	567,29	567,29	727,84	960,48
7	321,23	482,05	502,72	502,72	664,92	934,08
8	287,05	402,90	436,65	436,65	593,95	895,02
9	224,04	241,95	309,07	309,07	470,04	833,85
10	106,79	145,85	224,59	224,59	413,22	807,73
11	- 982,64	101,45	159,47	159,47	373,40	787,21

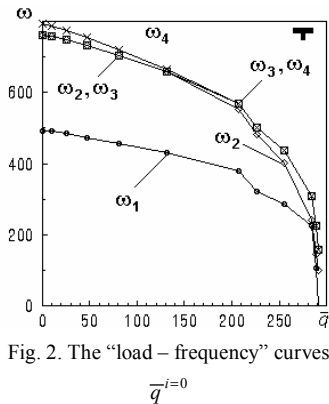


Fig. 2. The "load - frequency" curves  
 $\bar{q}^{i=0}$

Starting from the load  $\bar{q}^{i=6}$ , we have a coincidence of the eigenfrequencies  $\omega_3$  and  $\omega_4$  (Table 1), the " $\bar{q} - \omega_2$ " and " $\bar{q} - \omega_3$ " curves (Fig. 2) and the corresponding reconstruction of the vibration modes (Fig. 3,  $\bar{q}^{i=6}$ ,  $\bar{q}^{i=10}$ ).

Throughout the range of load changing (from  $\bar{q}^{i=0}$  and until  $\bar{q}^{i=9}$ ), the mode shape that corresponds to the frequency  $\omega_1$  has a simple form (Fig. 3;  $\bar{q}^{i=0}$ ,  $\bar{q}^{i=6}$ ). The vibration is characterized by deformation in the area of the center of the panel. To the moment of buckling, the mode shape has an asymmetric form with maximum amplitude at the centers of the quarters (Fig. 3,  $\bar{q}^{i=10}$ ).

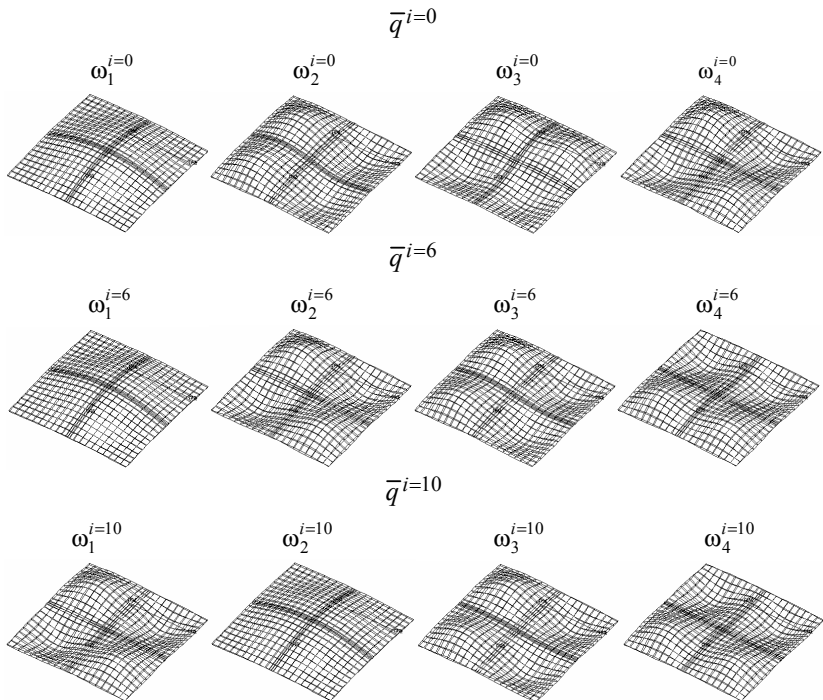


Fig. 3. Reconstruction of the first four mode shapes in the process of loading

A comparison of the "load-deflection" (Fig. 4) and "load-frequency" curves (Fig. 5) for smooth and ribbed panels has showed the following: adding two ribs increases the mass of the panel by 19.3% and  $\bar{q}_{cr}^{up}$  by a factor of 1.5 [1, 2]; and decreases the frequency  $\omega_1^{i=0}$  by 7.5% (for a smooth panel  $\omega_1^{i=0} = 533.78$ ). Upon

the load  $\bar{q} \approx 80 > \bar{q}^{i=4}$  the frequency  $\omega_1$  for the ribbed panel is greater than the corresponding frequency for a smooth shell.

According to the dynamic criterion when a frequency  $\omega_1 = 0$ , the load can be taken as critical. For a ribbed panel  $\bar{q}_{cr}^{up} = 291,4$ .

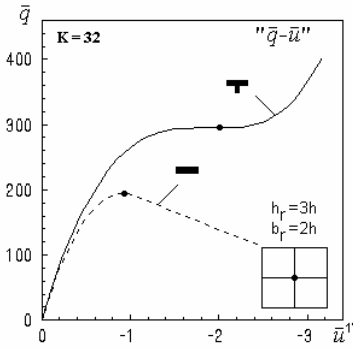


Fig. 4. The "load – deflection" curves"

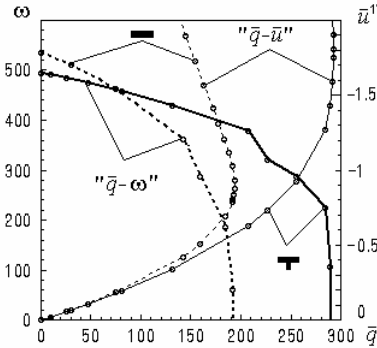


Fig. 5. Diagrams for smooth and ribbed panels

**Conclusions.** A method for studying the natural vibrations of inhomogeneous shells subject to action of static loads is considered. The method is based on a unified methodology that combines the problems of static stability and the vibrations of elastic shells. A modal analysis is performed on a pre-stressed structure. This approach allows us to determine the critical load by the dynamic criterion.

The natural frequencies and mode shapes are important parameters in the design of a thin-walled structure especially for dynamic loading conditions. These vibration characteristics of a structure may be served as a starting point for another, more detailed analysis.

The developed method has been used to investigate the buckling of a thin ribbed shell with the definition of frequencies and forms of natural oscillations at each increment of the load. Dependences of the vibration characteristics on the loading increase have been obtained.

#### REFERENCES

1. *Bazhenov V. A., Krivenko O. P., Solovei N. A.* Nonlinear Deformation and Buckling of Elastic Shells with Inhomogeneous Structure [in Ukrainian] – ZAT «Vipol», (Kyiv), 2010. – 316 p.
2. *Bazhenov V. A., Krivenko O.P., Solovei N. A.* Nonlinear Deformation and Buckling of Elastic Shells with Inhomogeneous Structure: Models, Methods, Algorithms, Poorly Studied and New Problems [in Russian]. – Book House "LIBRIKOM" (Moscow), 2013. – 336 p
3. *Bazhenov V.A., Solovei N.A., Krivenko O.P.* Modeling of Nonlinear Deformation and Buckling of Elastic Inhomogeneous Shells // Strength of Materials and Theory of Structures: Scientific-and-technical collected articles – Kyiv: KNUBS. – Issue 92, pp. 121-147 (2014), [in Ukrainian].
4. *Bazhenov V.A., Krivenko O.P.* Finite element modelling of processes of nonlinear deformation and buckling of elastic inhomogeneities thin-walled structures at action of thermomechanical loadings / Proceedings of the International Youth scientific conference "Strength, Creep and Destruction of Building and Engineering Materials and Structures" dedicated to the 55th anniversary of the RUDN (Master Classes of Famous Specialists) Moscow, November 18-21, 2014 - P. 55-64.
5. *Bazhenov V.A., Krivenko O.P., Legostaev A.D.* Stability and natural vibrations of inhomogeneous shells taking into account the stress state // Strength of Materials and Theory of

- Structures: Scientific-and-technical collected articles – Kyiv: KNUBS, 2015 – Issue 95. – Pp. 96–113, [in Ukrainian].
6. *Krivenko O.P., Legostayev A.D., Grechukh N.A.* Analysis of natural vibrations of shells with inhomogeneous structure using reduced finite element models // Strength of Materials and Theory of Structures: Scientific-and-technical collected articles – Kyiv: KNUBS, 2017. – Issue 98, Pp. 72-88, [in Ukrainian].
  7. *Krivenko O.P.* Effect of Heating on the Stability and Natural Vibrations of a Spherical Panel with the Changing Combined Fixation of the Boundary // Strength of Materials and Theory of Structures: Scientific-and-technical collected articles – Kyiv: KNUBS, 2015. – Issue 96. – Pp. 48-65, [in Ukrainian].
  8. *Krivenko O.P.* Effect of Preliminary Heating and Combined Fixation of the Boundary on the Stability and Natural Vibrations of Panels under Action of Pressure // Strength of Materials and Theory of Structures: Scientific-and-technical collected articles – Kyiv: KNUBS, 2016. – Issue 97. – P. 107-120 [in Ukrainian].
  9. *Golovanov A.L., Tyuleneva O.N., Shigabutdinov A.F.* Finite Element Method in Static and Dynamics of Thin-Walled Structures [in Russian]. – FIZMATLIT (Moscow), 2006. – 392 p.
  10. *Karpov V.V.* Strength and buckling of reinforced shells of rotation. In 2 parts. Part 1. Models and algorithms for investigating the strength and stability of reinforced shells of revolution [in Russian]. – FIZMATLIT (Moscow), 2010. – 288 p.; Part 2. Computational experiment with static mechanical action [in Russian]. – FIZMATLIT (Moscow), 2011. – 248 p.
  11. *Gavrilenko G.D., Matsner V. I., Kutenkova O.A.* Free vibrations of ribbed cylindrical shells with local axisymmetric deflections // International Applied Mechanics, 2008. – Vol. 44. – Issue 9. – Pp. 1006–1014.
  12. *Zaruskii V.A., Lugovoi P.Z., Meish V.F.* Dynamic problems for and stress–strain state of inhomogeneous shell structures under stationary and nonstationary loads // International Applied Mechanics, 2009. – Vol 45, № 3. – Pp. 245-271.
  13. *Reddy J.N.* Theory and Analysis of Elastic Plates and Shells, Second Edition - CRC Press, 2006. - 568 p.
  14. *Amabili M.* Nonlinear vibrations and stability of shells and plates. – Cambridge: Cambridge University Press, 2008. – 374 p.
  15. *Kirichok I.F.* “Effect of initial temperature stresses on natural vibrations of orthotropic cylindrical shells” // Thermal stresses in structural elements, (1970) – Vol. 9. – Pp. 281-290 [in Russian].
  16. *Flachok V.M., Shvets R.N.* “Effect of non-uniform heating on natural vibrations of anisotropic cylindrical shells” // Thermal stresses in structural elements, (1981) – Vol. 9. – Pp. 48-53 [in Russian].
  17. *Sakharov A.S., Kisloookii V.N., Kirichevskii V.V., [et al.]* Finite-Element Method in Solid Mechanics [in Russian], Vyshcha Shkola (Kyiv), (1982). – 480 p.
  18. *Solovei N.A.*, A modified three-dimensional finite element for modeling thin inhomogeneous shells // Strength of Materials and Theory of Structures: Scientific-and-technical collected articles – Kyiv: KNUBS, 2006. – Issue 80, pp. 96–113, [in Ukrainian].
  19. *Kiselev A.P., Gureeva N.A., Kiseleva R.Z.* Calculation of a multilayer shell with the use of a spatial finite element // Izvestiya Volgograd State Technical University (2010). Vol. 4. – No. 4 [in Russian].
  20. *Liao C.-L. & Reddy J. N.* Analysis of anisotropic stiffened, composite laminates using a continuum-based shell element // Comput. Struct., 34, No. 6, pp. 805–815 (1989).
  21. *Zienkiewicz O.C.*, The Finite-Element Method in Engineering Science, McGraw-Hill, New York (1971).
  22. *Bischoff M., Ramm E., Irlsinger J.* Models and finite elements for thin-walled structures // Encyclopedia of Computational Mechanics Second Edition. (2018) – C. 1-86.
  23. *Bathe K.-J., Wilson E.L.*, Numerical methods in finite element analysis, – Prentice-Hall, Englewood Cliffs, N.J., 1976. – 528 p.
  24. *Bathe K.-J.* The subspace iteration method – Revisited // Computers & Structures, 2013, 126: 177-183 pp.
  25. *Vol'mir A.S.*, Nonlinear dynamics of plates and shells. [in Russian] – Nauka (Moscow), 1972. – 432 p.

*Кривенко О.П.*

### **ВПЛИВ СТАТИЧНИХ НАВАНТАЖЕНЬ НА ВЛАСНІ КОЛИВАННЯ РЕБРИСТИХ ОБОЛОНОК**

Розглянута методика дослідження власних коливань тонкостінних оболонкових конструкцій з урахуванням дії статичного навантаження. Методика спирається на комплексний підхід, що поєднує скінченно-елементний метод дослідження геометрично нелінійного деформування, стійкості та позакритичної поведінки тонких неоднорідних оболонок та модальний аналіз оболонок з урахуванням наявності напруженого стану на кожному кроці навантаження. Виконано аналіз частот і форм власних коливань тонкої ребристою панелі, що шарнірно оперта по контуру та навантажена рівномірним тиском.

**Ключові слова:** тонка пружна оболонка, ребро, стійкість, власні коливання, статичне навантаження

*Кривенко О.П.*

### **ВЛИЯНИЕ СТАТИЧЕСКИХ НАГРУЗОК НА СОБСТВЕННЫЕ КОЛЕБАНИЯ РЕБРИСТЫХ ОБОЛОЧЕК**

Рассматривается методика исследования собственных колебаний тонкостенных оболочечных конструкций с учетом приложенной статической нагрузки. Методика опирается на комплексный подход, сочетающий конечно-элементный метод исследования геометрически нелинейного деформирования, устойчивости и закритического поведения тонких неоднородных оболочек и модальный анализ оболочек с учетом наличия напряженного состояния на каждом шаге нагружения. Выполнен анализ частот и форм собственных колебаний тонкой ребристой панели, шарнирно опертой по контуру и нагруженной равномерным давлением.

**Ключевые слова:** тонкая упругая оболочка, ребро, устойчивость, собственные колебания, статическая нагрузка

УДК 539.3

*Кривенко О.П.* **Вплив статичних навантажень на власні коливання ребристих оболонок /** Опір матеріалів і теорія споруд: наук.-тех. збірн. – К.: КНУБА, 2018. – Вип. 101. – С. 38-44. – Англ.

*Наведено методику та результати розрахунку частот і форм власних коливань тонкої ребристою панелі, що шарнірно оперта по контуру та навантажена рівномірним тиском.*

Табл. 1. Ил. 5. Библиогр. 25 назв.

UDC 539.3

*Krivenko O.P.* **Effect of Static Loads on the Natural Vibrations of Ribbed Shells /** Strength of Materials and Theory of Structures: Scientific-and-technical collected articles – Kyiv: KNUBA, 2018. – Issue 101. – P. 38-44.

*The method for and results of calculating the frequencies and mode shapes of a thin ribbed panel hinged by the contour and loaded with uniform pressure are presented.*

Tabl. 1. Fig. 5. Bibliograf. 25 ref.

УДК 539.3

*Кривенко О.П.* **Влияние статических нагрузок на собственные колебания ребристых оболочек //** Сопротивление материалов и теория сооружений: науч.-тех. сборн. – К.: КНУСА, 2018. – Вип. 101. – С. 38-44. – Англ.

*Приведена методика и результаты расчета частот и форм собственных колебаний тонкой ребристой панели, шарнирно опертой по контуру и нагруженной равномерным давлением.*

Табл. 1. Ил. 5. Библиогр. 25 назв.

#### **Автор (вчена ступень, вчене звання, посада):**

*кандидат технічних наук, старший науковий співробітник, провідний науковий співробітник НДІ будівельної механіки КНУБА КРИВЕНКО Ольга Петрівна*

*Адреса робоча: 03680, Україна, м. Київ, Повітрофлотський проспект 31, Київський національний університет будівництва і архітектури*

**Мобільний тел.:** +38(066) 048-32-77

**Робочий тел.:** +38(044) 245-48-29

**E-mail:** olakop@ukr.net

**ORCID ID:** <https://orcid.org/0000-0002-1623-9679>